

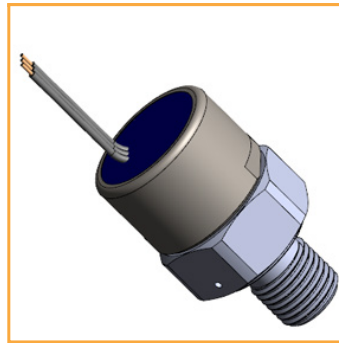
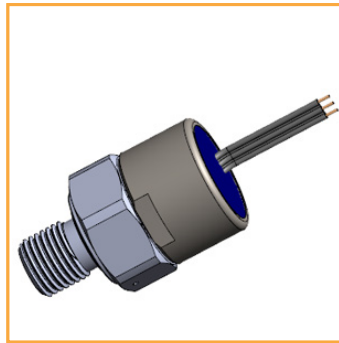
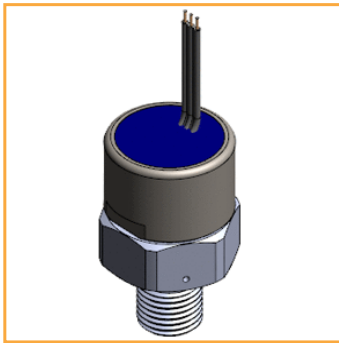
# PRESSURE TRANSMITTER MTX-F



Various sensor technologies combined with a stainless steel housing, for a long lasting function. A high quality product with a variety of electrical and mechanical connections that can be adapted in almost any application.

**FEATURES:**

- vacuum resistant
- flexible pressure



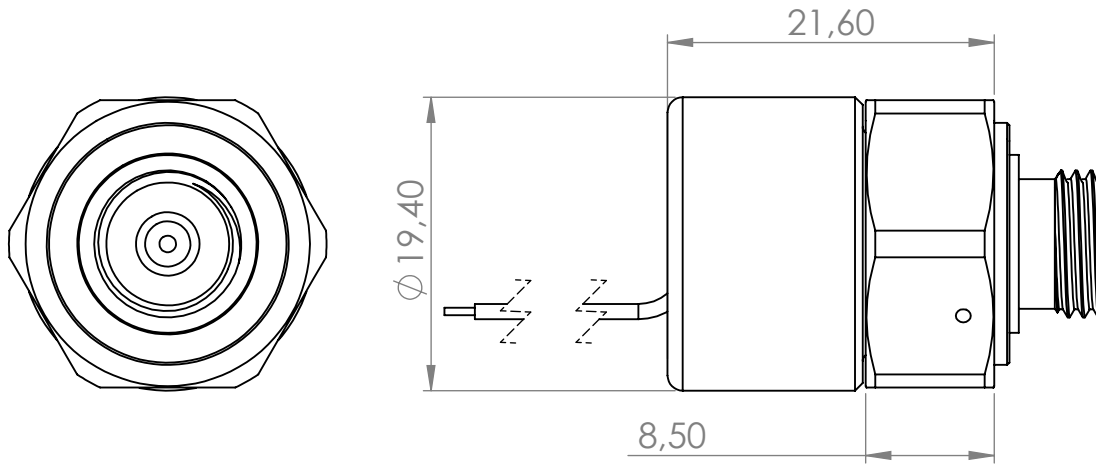
TECHNICAL SPECIFICATIONS	
<b>Pressure Range</b>	0-10 bar; 0-200 bar
<b>Accuracy</b>	≤ 2 % FS
<b>Nonrepeatability</b>	≤ ± 0,25 % FS
<b>Supply voltage</b>	5 V ± 0.5 VDC
<b>Power consumption</b>	< 10 mA typ. Rload > 2 k) < 50 mA max.
<b>Long-term stability of zero signal</b>	≤ ± 0.25 % FS (1000 h at 80°C) ≤ ± 0.15 % FS (100 k. pressure cycles)
<b>Long-term stability of the span</b>	≤ ± 0.1 % FS (1000 h at 80°C) ≤ ± 0.1 % FS (100 k. pressure cycles)
<b>Therm. offset shift</b>	< ± 0.08 % FS/K
<b>Therm. span shift</b>	< ± 0.02 % FS/K
<b>Initialisation time</b>	Depending on the output type
<b>Storage Temperature</b>	-20 – +80° C

<b>Housing</b>	CrNi-Steel and Al203 96 %
<b>Operation Temperature</b>	+5 – +80° C
<b>Measurements</b>	See dimensional drawings
<b>Pressure type</b>	Relative Pressure

PRESSURE RANGE (BAR)	OVER PRESSURE (BAR)	BURST PRESSURE (BAR)	NEGATIVE PRESSURE (BAR)
10	≥ 13	≥ 20	vacuum resistant
20	≥ 26	≥ 40	vacuum resistant
50	≥ 65	≥ 100	vacuum resistant
100	≥ 130	≥ 200	vacuum resistant
150	≥ 195	≥ 300	vacuum resistant

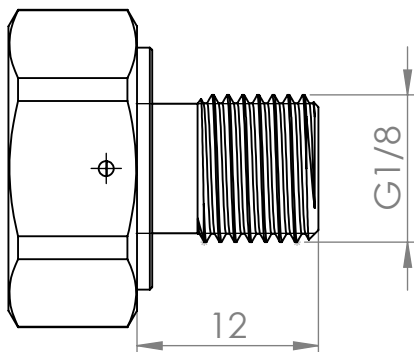
Mechanical and electrical characteristics are customisable. Specifications are subject to change without notice. We recommend that customers perform their own tests for new or untested applications.

MECHANICAL DIMENSIONS

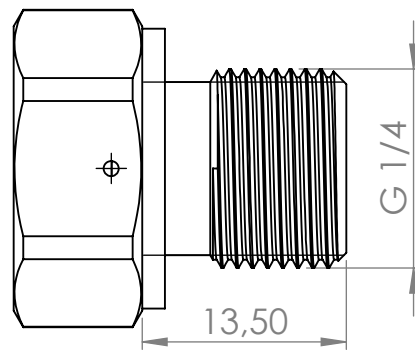


PROCESS CONNECTIONS (CUSTOMIZED CONNECTIONS ON REQUEST)

Z401000090



Z401000091



ELECTRICAL CONNECTIONS

