

CONTACTLESS ROTARY SENSOR HMS 220



These contactless, absolute measuring rotary sensors based on the Hall effect are designed with robust housings. The Metallux series of rotary sensors HMS 220 features a long lifetime, excellent linearity and a robust design.

FEATURES

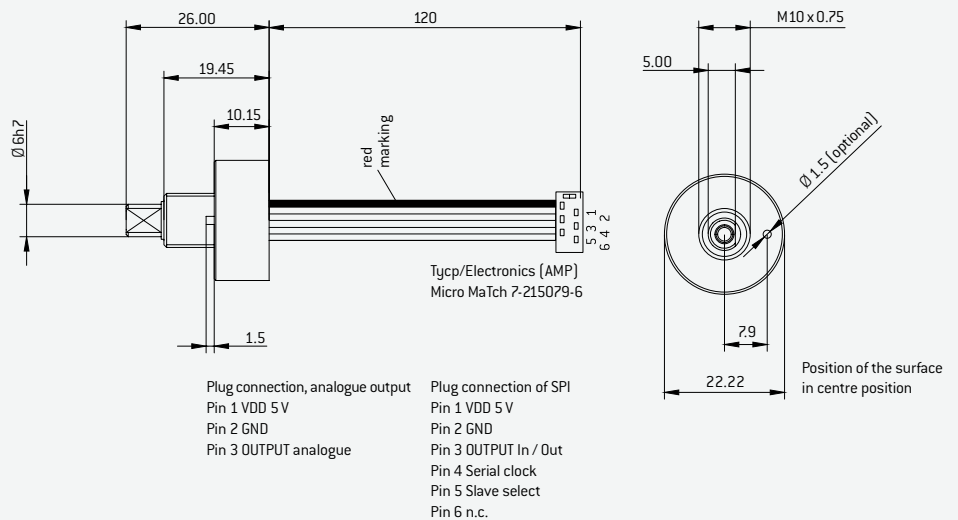
- Long lifetime
- Good linearity
- Robust design

APPLICATIONS

- Joysticks
- Valve controls
- Steering angle measurement
- Servo systems

SPECIAL FEATURES

- Hall sensor
- Freely programmable angles possible
- Absolute measuring rotary sensors even after blackout



ELECTRICAL SPECIFICATIONS

Measuring range	0 – 360°, programmable
Independent linearity	± 0.5 %
Resolution	12 bit <math>< 0,1^\circ</math>
Supply voltage (Vs)	5 (± 10 %) VDC
Output signal	10 % ... 90 % of Vs *
Current consumption without load [typical]	18 mA
Min. ohmic load at output	10 kOhm
Max. capacitive load at output	10 nF
Electrical connection	Tinned cable wires

Mechanical and electrical characteristics are customizable. Specifications are subject to change without notice. * Others on request.

MECHANICAL SPECIFICATIONS

Mechanical positioning range	Continuous rotation
Bearing	Double ball bearing
Min. lifetime (mechanical)	200 million cycles

MATERIALS

Housing material	Anodised aluminium
Axis material	Stainless steel

AMBIENT CONDITIONS

Operating temperature	– 40°C ... +85°C *
------------------------------	--------------------

SAMPLE ORDER

Part no.	Type series	Elect. measuring range	Elect. connection
H061500286	HMS	360°	Wire connection