

# CERAMIC PRESSURE MEASURING CELL CPS 1102

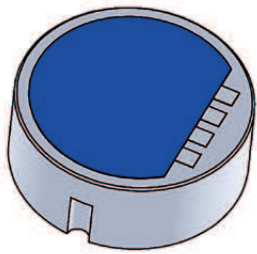
This monolithic ceramic pressure measuring cell has a diameter of only 10 mm and is suitable for measuring relative pressure up to 400 bar.

### Advantages

- Diameter 10 mm
- High measurement accuracy
- Temperature-compensated offset
- Excellent long-term stability

### Application examples

- Pumps
- Pressure transmitters
- Heating and cooling systems
- Pressure monitoring



General data	
Sensor technology	Piezoresistive, Wheatstone bridge
Sensor type	Monolithic, relative measurement

Electrical data	
Pressure range	-1 to 400 bar
Supply voltage	3 to 30 VDC
Sensitivity	Min. 0,9 / typ. 1,5 / max. 3,0 mV/V
Offset	0 ± 0,5 mV/V
Thermal offset shift	Typ. 0 ± 0,03
Thermal span shift	0 to -0,04 % FS/K (-40 to +125 °C)

Mechanical data	
Dimensions	See drawing
Diameter	10 mm
Pitch	1,27 mm
Weight	≤ 5 g

Environmental conditions	
Operating temperature	-40 to +125 °C
Storage temperature	-40 to +150 °C

Material	
Sensor body	Ceramic Al <sub>2</sub> O <sub>3</sub> 96 %

Electrical connection	
	Solder pad tinned
	Flat cable
	Other connections on request

Nominal pressure								
	5 bar	10 bar	20 bar	50 bar	100 bar	150 bar	200 bar	400 bar
Relative measurement	X	X	X	X	X	X	X	X
Overpressure*	≤ 7,5 bar	≤ 15 bar	≤ 30 bar	≤ 75 bar	≤ 150 bar	≤ 200 bar	≤ 300 bar	≤ 550 bar
Burst pressure	> 10 bar	> 25 bar	> 50 bar	> 150 bar	> 250 bar	> 375 bar	> 450 bar	> 700 bar
Vacuum capability	-0,8 bar	-1 bar	-1 bar	-1 bar	-1 bar	-1 bar	-1 bar	-1 bar
Accuracy** % FS typ. / max.	0,25 / 0,5	0,25 / 0,5	0,25 / 0,5	0,25 / 0,5	0,25 / 0,5	0,25 / 0,5	0,25 / 0,5	0,25 / 0,5

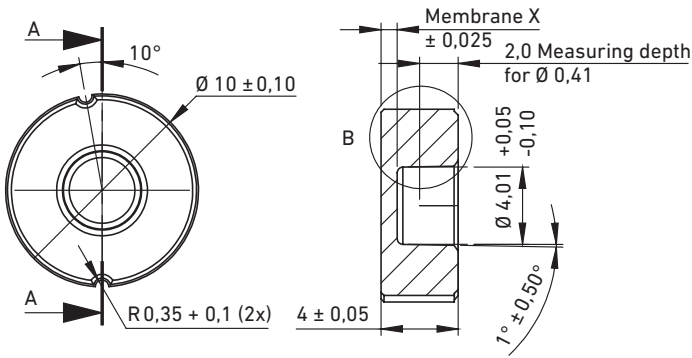
\* The specified overpressure ensures correct functioning of the cell in the event of overload. Duration of overpressure < 1 s

\*\* Expected values

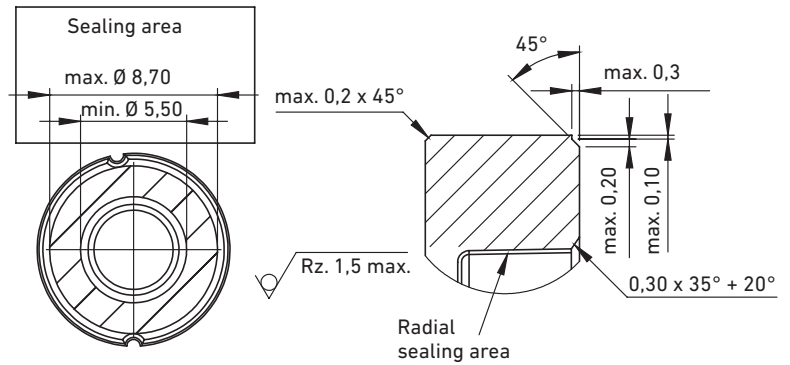
$$\text{Accuracy} = \sqrt{\text{Nonlinearity}^2 + \text{Hysteresis}^2 + \text{Nonrepeatability}^2}$$

# CERAMIC PRESSURE MEASURING CELL CPS 1102

## Dimensions

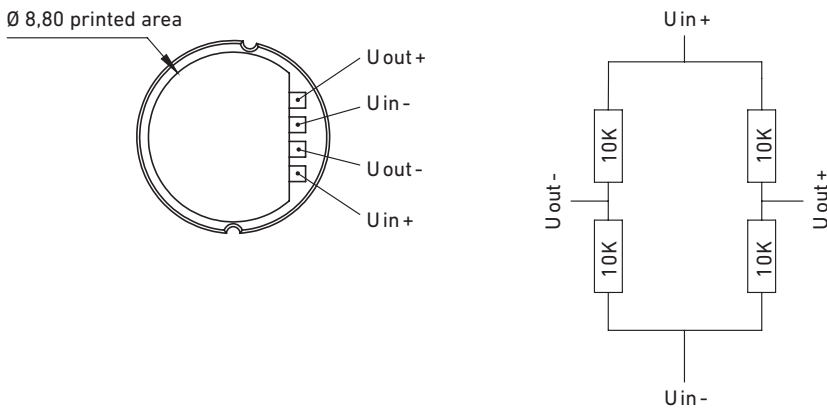


## Mounting proposal



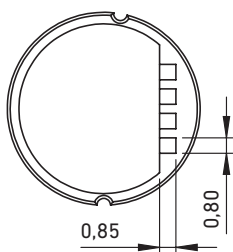
All dimensions in mm

## Connection diagram

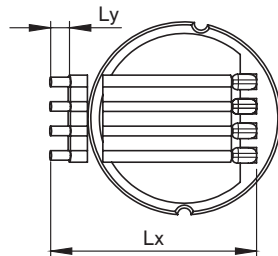


## Electrical connection

### Solder pad tinned



### Flat cable



Metallux cannot picture the customer's operating and application conditions and the customer's existing environmental influences. We therefore recommend that you carry out your own investigations into the planned use of the products under the actual operating conditions. We continuously improve our products and also update our data sheets regularly. In this respect, there may be changes in the specification. These changes will apply to orders received by us from the time of the update, unless otherwise agreed. Our products comply with Directive 2011/65/EU (RoHS) including Directive 2015/863/EU and Regulation (EC) No. 1907/2006 (REACH).